

## CI3 330 NF EU



Motor  
Inverter



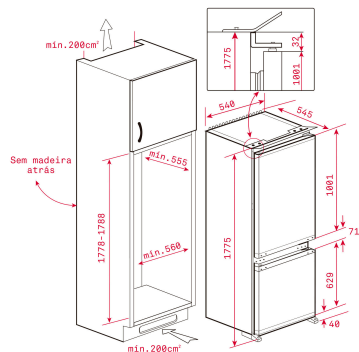
Easy 90



Fresh Box



LED



# TEKA

### No Frost built-in bottom freezer refrigerator with inverter motor and antibacterial gasket

Built-in bottom freezer refrigerator

No Frost in freezer

Manual adjustable thermostat

FreshBox drawer

3 safety glass shelves

Front adjustable feet

LED Illumination

Reversible doors

Climate class: SN/ST

Total capacity (gross/net): 275 / 262 litres

Bottle rack and ice cube tray included

### External Dimension

- ➔ H 1775 mm
- ➔ W 540 mm
- ➔ D 545 mm

