

## TOTAL CI3 330 NF EU



Motor  
Inverter



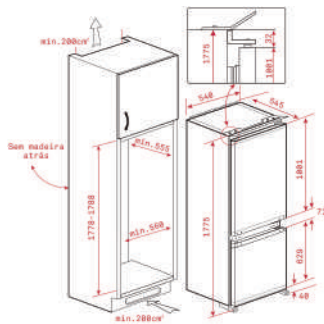
Easy 90



Fresh Box



LED



### No Frost Built-in Combi Refrigerator 177,5 cm 2 doors with automatic defrost

Built-in bottom freezer refrigerator

No Frost in freezer

Manual adjustable thermostat

FreshBox drawer

3 safety glass shelves

Front adjustable feet

LED Illumination

Reversible doors

Climate class: SN/ST

Total capacity (gross/net): 275 / 262 litres

Bottle rack and ice cube tray included

### External Dimensions

- ① H 1775 mm
- ② W 540 mm
- ③ D 545 mm

