

EASY CP 15 GS

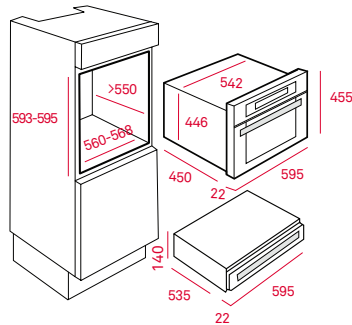


Plate warmer

Push-pull opening system

Telescopic drawer with anti-sliding material

6 place settings

10 cm. usable height

Temperature range 30°-80°C

Illuminated switch on-off pilot

Max. nominal power: 430 W

To combine with Compact Ovens & Mwo

Stainless steel

External Dimensions

- ① H 140 mm
- ② W 595 mm
- ③ D 557 mm

AN ELEGANT AND FUNCTIONAL PLATE WARMER

Teka's electric plate warmer appliances fit perfectly into your kitchen's design. You will be able to install them as a drawer under your oven, thus providing a touch of elegance and functionality. Besides, they have been developed with your comfort in mind, featuring telescopic slides so that you can open it easily.

