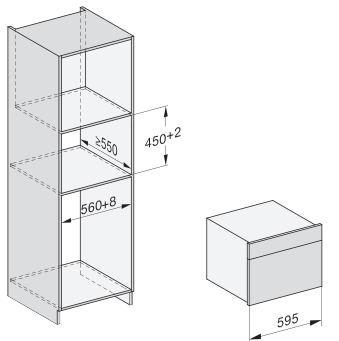


Miele

DG 7440



Built-in steam oven for healthy cooking with automatic programmes, networking and sous-vide cooking.

DualSteam
Push2release fresh water container
4.5L Fresh water container volume
40L Oven compartment volume
Large clear text display with sensor controls
Perfect results
Perfect results guaranteed every time
Oven compartment lighting
Network-enabled WiFi appliance – Miele@home
4 shelf levels
100°C Steam-cooking mode temperatures
SoftOpen and SoftClose
MultiLingua
Quantity-independent cooking
Automatic menu cooking
Steam reduction before end of programme
Actual temperature display
Buzzer when desired temperature is reached

External Dimensions

- ↑ H 455 mm
- W 595 mm
- ⊗ D 569 mm

