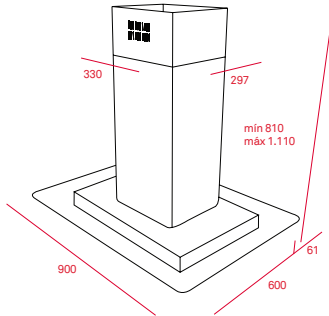


TOTAL DG3 ISLA 980



Glass wing island hood

Island hood
Glass wing
EcoPower motor
Energy Efficiency class: D
Backlit electronic panel with white display
3 speeds + 1 intensive
4 LED lamps
2 stainless steel filters
Reinforced transparent glass
Stop delay timer
Filter saturation indicator

Color

Stainless steel - Glass wing

External Dimensions

➔ W 900 mm

Exhaust capacities:

Free Outlet, m³/h: 850
Qboost, m³/h: 650
Max., m³/h: 400
Min., m³/h: 295
Noise (LwA) Boost Speed, dB: 66
Noise (LwA) Max Speed, dB: 56
Noise (LwA) Min Speed, dB: 48

ENJOY ITS POWER AND DESIGN WITH TEKA HOODS RANGE

Our new EcoPower Teka hoods feature a new powerful motor design: green inside and outside. With increased exhaust capacities but lower noise levels. More environmentally friendly and efficient. More powerful but with lower energy consumption in order to achieve more than %60 energy saving and A Class energy efficiency.

