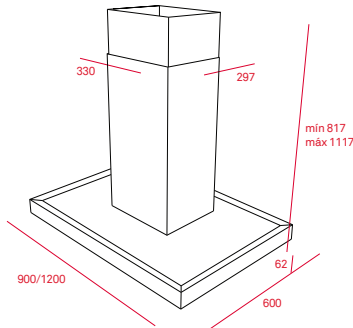


MAESTRO DH2 ISLA 980



Island hood

Backlit electronic panel with red display

Conventional aspiration

3 speeds + 1 intensive

Exhaust capacities:

Maximum extraction capacity: 1,200 m³ / h

Free Outlet (m³/h) 850

Max. (m³/h) 650

Min. (m³/h) 295

Noise (LwA) Max Speed 56 dB

Noise (LwA) Min Speed 48 dB

Integrated halogen lamps

4/3 stainless steel-aluminium filters

Stop delay timer

Easy-Clean inside panel

Reinforced black glass upper structure

Color

Stainless steel - Black glass upper part

External Dimensions

➔ W 900 mm

SOUNDPROOF PANEL, FAREWELL TO NOISE: NOISE REDUCTION COATING

Forget the old extractors that used to spoil the harmony of the kitchen.

Teka's cooker hoods use noise reduction coating, closed cell polymer specially engineered to absorb noise; an added impermeability feature that also prevents dirt from building up and makes cleaning easier.

