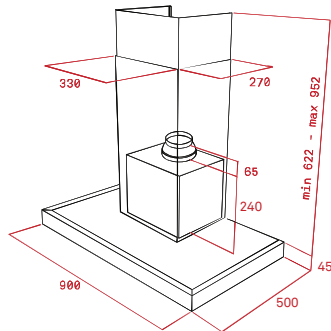


MAESTRO DLH 986 T



Ultraslim decorative hood

Eco power

Double turbine armored motor EcoPower
Power Rating: A +
Touch Control digital controls with white display
3 speeds + intensive
Selected speed digital indicator
Aspiration timer
Filter saturation indicator light
Non-Return Valve
Extraction capacities (*):
min. 303 m³ / h
max. 701 m³ / h
Sound power (*):
min. 53 dBA
max. 69 dBA

LED Lighting Bar

Stainless steel decorative filters
Possibility of operation in recirculation
(* Delegated Regulation (EU) No 65/2014 of the Commission of 1 October 2013.

External Dimensions

➔ W 900 mm

LED LIGHTING: A GENTLE GLOW

Long life, triple brightness and consumption ten times lower than a halogen are some of the benefits of LED lights, without forgetting without forgetting that they are really resistant and environmentally friendly.

