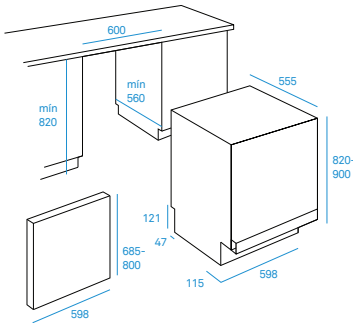


DMIE 2B19



Fully integrated dishwasher

14 Place setting
6 programs
Energy Class: A +
43 Db(A) noise level
Fast & Clean
Intensive program
Push & Go
%100 stainless steel
Back feet adjustment from front
Indicator pilots for : Selected program,
lack of salt and rinse aid
Eco program
5 positions water softener with
electronic adjustment
Adjustable upper basket

External Dimensions

- ➊ 900/820mm
- ➋ 598mm
- ➌ 555mm

FAST & CLEAN, PUSH & GO, AND (AUTO) INTENSIVE

Indesit's most effective cleaning performance in just 28 minutes
Does not include a drying cycle.
Clean & dry dishes with just one push
The best cleaning results for stubborn, baked-on dirt. Also available with auto clean technology.
Designed for smaller loads, enjoy clean dishes without having to wait to fully fill your dishwasher or use unnecessary electricity and water.

