

DPL 986 T



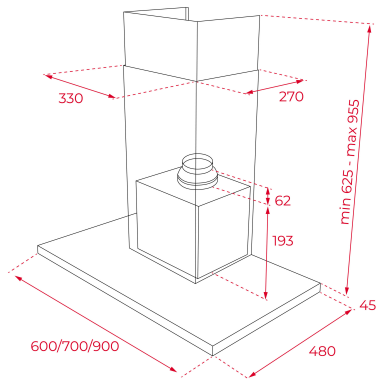
LED



Perimeter
extraction



Stop Delay
Timer



TEKA

Decorative hood with aspiration timer and 3 speeds, 90cm

Decorative horizontal hood
Electronic control with display
Rim extraction

3 speeds + 1 intensive

Free Outlet exhaust capacity (m3/h): 920

Intensive speed exhaust capacity (m3/h): 782

Max speed exhaust capacity (m3/h): 629

Min speed exhaust capacity (m3/h): 331

Intensive speed sound level (dBA): 65

Max speed sound level (dBA): 55

Min speed sound level (dBA): 45

1 LED lamp

3 Aluminum filters

Stop delay timer

Filter saturation indicator

Operating pilot light

Anti-return valve included

Outlet reduction included

External Dimension

- ↑ H 690-1010 mm
- W 900 mm
- ↗ D 480 mm

