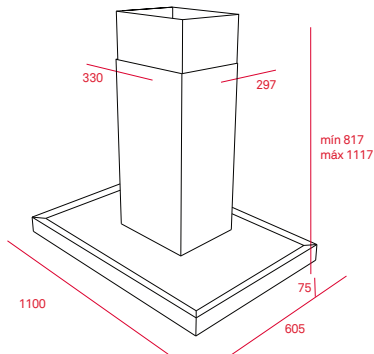


MAESTRO DPL 1180 ISLA



Island hood with Contour Rim extraction

Eco power

Perimetral extraction
EcoPower motor
Energy Efficiency class: A
Rim extraction
Touch control White display
Operating pilot light
3 speeds + 1 intensive
Exhaust capacities:
Free Outlet, m³/h: 920
Qboost, m³/h: 651
Max., m³/h: 629
Min., m³/h: 331
Noise (LwA) Boost Speed, dB: 65,2
Noise (LwA) Max Speed, dB: 66
Noise (LwA) Min Speed, dB: 54

Color

Stainless steel - Black glass upper part

External Dimensions

➔ W 1100 mm

Exhaust capacities:

Free Outlet (m³/h) 920
Qboost, m³/h: 651
Max., m³/h: 629
Min., m³/h: 331
Noise (LwA) Boost Speed, dB: 65,2
Noise (LwA) Max Speed, dB: 66
Noise (LwA) Min Speed, dB: 54

