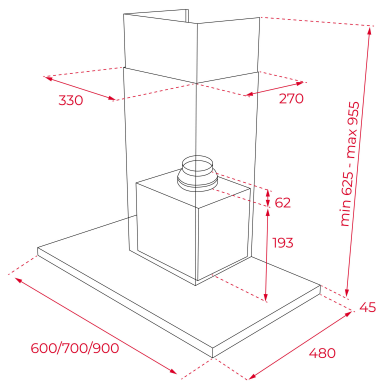


DSJ 650

LED

LED



TEKA

90 cm decorative hood with 3 speeds

Decorative hood

Push button controls

2 LED lamps

3 speeds

Operating pilot light

Metal filters

Double turbine motor

Anti-return valve

Extraction capacity: min. 235 m³/h – max. 433 m³/h

Sound power: min. 43 dB – max. 58 dB

Recirculation option with Set D1CTP

Wall-mounted installation

Stainless steel finish

Outlet diameter: 150 mm

Total power: 113 W

3 filters

External Dimension

- ↑ H 670-1000 mm
- W 900 mm
- ↻ D 480 mm

