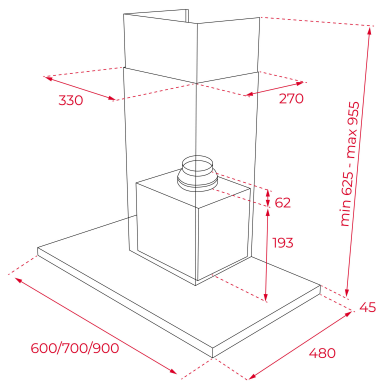


## DSJ 950

LED

LED



TEKA

### 90 cm decorative hood with 3 speeds

Decorative hood

Push button controls

2 LED lamps

3 speeds

Operating pilot light

Metal filters

Double turbine motor

Anti-return valve

Extraction capacity: min. 235 m<sup>3</sup>/h – max. 433 m<sup>3</sup>/h

Sound power: min. 43 dB – max. 58 dB

Recirculation option with Set D1CTP

Wall-mounted installation

Stainless steel finish

Outlet diameter: 150 mm

Total power: 113 W

3 filters

### External Dimension

- ↑ H 670-1000 mm
- W 900 mm
- ↗ D 480 mm

