

EASY DSJ 950

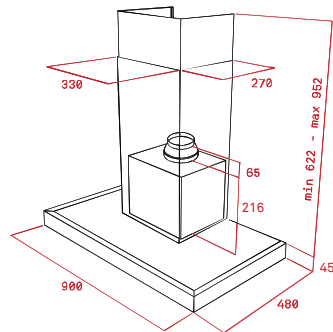


Ultraslim decorative hood

Push Buttons Control Panel
Operating Pilot Light
Conventional Aspiration Type
3 Speeds
Exhaust capacities:
Free Outlet (m³/h): 475
Max. (m³/h): 380
Min. (m³/h): 234
Noise (LwA) Max Speed 64 dB
Noise (LwA) Min Speed 49 dB
3/2/2 aluminum filter

Color

Stainless Steel



External Dimensions

➔ W 900 mm

RECIRCULATION FUNCTION VERTICAL TEKA HOODS

Teka hoods are designed for circumstances where there is no air vent and can be operated in filtering or recirculation after fitting active charcoal filters. Grease and other harmful particles are retained in the carbon filters, which regenerate and purify the airflow that passes through them. Finally, the air is returned to the room free of odours and dirt.

