

TOTAL DVT 950



Vertical decorative hood

Eco power

Touch control panel

Rim extraction

3 speeds + 1 intensive

Exhaust capacities:

Free Outlet (m³/h): 895

Max. (m³/h): 786

Min. (m³/h): 303

Noise (LwA) Max Speed 66 dB

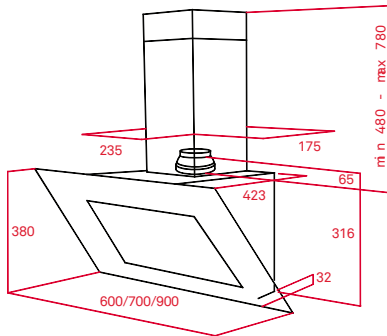
Noise (LwA) Min Speed 52 dB

LED illumination

1 aluminium filter

Stop delay timer

Filter saturation indicator



Color

Black

External Dimensions

➔ W 900 mm

PERIMETER EXTRACTION DRAWS AIR FROM EVERY ANGLE

The "Contour System" perimeter extraction offers superior efficiency levels. Based on the Venturi effect principle, air accelerates as it passes through a pipeline, then decreases immediately as it enters the hood, creating a barrier that prevents the smoke and odours from leaking. It allows aesthetics to be improved and as there is smaller open area, the noise level is lower.

