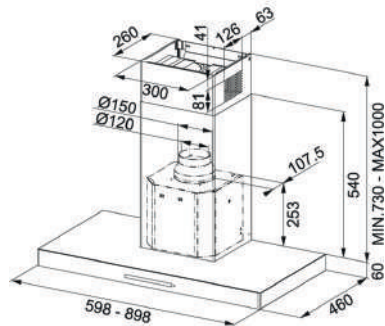


CRYSTAL FCR 925 TC BK XS



90cm Crystal Hood

A class energy rating
Touch control
Backlit electronic panel
3 speeds + 1 intensive
2 LED 1 watt lamps
3 stainless steel filters

Color

Crystal Black - Stainless steel

External Dimensions

● W 900 mm

Exhaust capacities:

m ³ /h Int. (IEC 61591)	690 m ³ /h
m ³ /h max (IEC 61591)	560 m ³ /h
m ³ /h min. (IEC 61591)	290-M ³ /h
Int. noise level *** (dB(A))	69 dB(A)
Max. noise level *** (dB(A))	65 dB(A)
Min. noise level *** (dB(A))	51 dB(A)
Power (W)	270-W
Pressure* (Pa)	550.00 Pa
Brightness	LEDS-2X1W
Type of control	Touch-control
Pipe outlet	Ø 150 mm (Ø 120 mm reduction supplied)
Dimensions	600

HOODS MADE BEAUTIFULLY PRACTICAL

With sleek design and cutting-edge technology, Franke hoods bring style and sophistication to the art of keeping your kitchen free of unwanted smells. Start using your hob, and your hood automatically comes on. You can even have an extraction rate that adjusts to the intensity of the hob so cooking smells are eliminated with the greatest efficiency.

