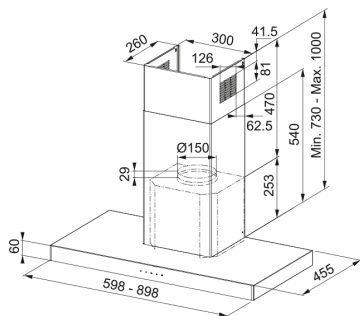


# FRANKE

## CRYSTAL FCR 925 TC BK/XS



### Wall Hood, 90cm wide

Hood category T-Shape  
Finish Stainless steel / glass  
Number of lamp 2  
Lamp type Led S2000 3000K  
Speed setting 3+i  
UI type Touch control  
Delayed stop 30'  
Energy efficiency class A+  
Filter typology Cassette  
Type of filter Stainless steel  
Motor Group name SP A+  
Diam. air outlet 150 mm

### Exhaust capacities:

Capacity DIN IEC 61591 Int. 750 m<sup>3</sup>/h  
Capacity DIN IEC 61591 Max. 600 m<sup>3</sup>/h  
Capacity DIN IEC 61591 Min. 280 m<sup>3</sup>/h  
Noiselevel DIN EN 60704-3 Int. 69 dB(A)  
Noiselevel DIN EN 60704-3 Max. 65 dB(A)  
Noiselevel DIN EN 60704-3 Min. 50 dB(A)  
Power (W) 250 W  
Pressure 590.00 Pa  
Illumination Led S2000 2 lamps

### External Dimensions

- ① H 790–1060 mm
- ② W 900 mm
- ③ D 455 mm

