



Universale Aesthetic FF18EN2HX



Free Standing freezer Single door

Net freezing capacity: 280 l

Noise level: 41 dB(A) re 1pW

Annual energy consumption: 249 kWh/a

Airborne acoustical noise emission class: C

Temperature Rise Time: 16.5 h

4 star - Freezing capacity: 13.0 Kg/24h

Fast freezing button: Yes

Power on lamp: Yes

Type of temperature control: Electronic

Temperature alarm: Yes

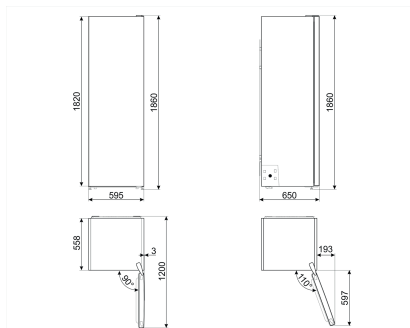
No. of compressors: 1

Type of compressor: Inverter

Freezer compartment accessories: Ice cube tray

Number of drawers: 5

No. of compartments with flap: 2



External Dimensions

① H 1860 mm

② W 595 mm

③ D 650 mm

