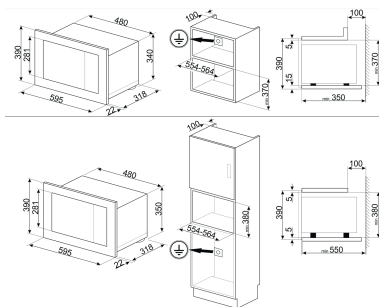




FMI320X2



Built-in Microwave Classica Aesthetic

Installation: With frame

Cooking Method: Microwave with grill

Control: Electronic

No. of functions: 5

Display / Clock: TFT

Type of control setting: Touch control

Opening: Electrical button

Cavity material: Stainless steel

Gross volume: 21 l

Light Power: 20 W

Door opening: Side-opening

Total no. of door glasses: 2

Cooling system: Tangential

Turntable: Yes

Turntable dimensions: 24,5 cm

Grill type: Quartz

Grill - power: 1000 W

Microwave effective power: 850 W

External Dimensions

① H 390 mm

② W 595 mm

③ D 320 mm

