

FRANKE

FMY BK MATT F180



Island Hood

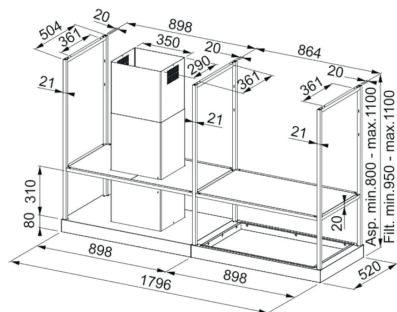
A class energy rating
 T-shape
 3 speeds + 1 intensive
 Led Bar Slim 4000K
 Electronic rotative UI
 maximum capacity 750m³/h
 Ability to work in recirculation mode
 A F. dynamic efficiency class
 A Light Efficiency Class

Color

Matt Black

External Dimensions

● W 520 mm



Exhaust capacities:

Capacity DIN IEC 61591 Int.	750 m ³ /h
Capacity DIN IEC 61591 Max.	600 m ³ /h
Capacity DIN IEC 61591 Min.	280 m ³ /h
Noiselevel DIN EN 60704-3 Max.	66 dB(A)
Noiselevel DIN EN 60704-3 Min.	50 dB(A)
Power (W)	250 W
Pressure	590.00 Pa
Illumination	Led Bar 4000K

