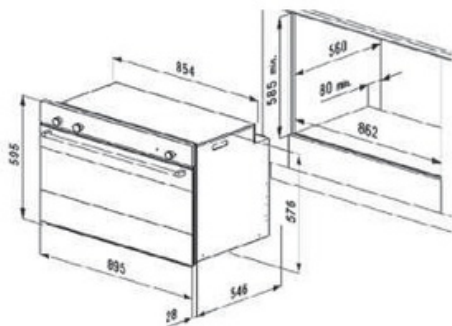


## FO 829 M XS



# FRANKE

### 90cm electric oven

Stainless steel color

110 liters electric

oven 8 functions

A class energy rating

Turbo cooking with

fan Fan-assisted

cooking Cool touch

door

---

### External Dimensions

- ① H 595 mm
- ② W 895 mm
- ③ D 576 mm

