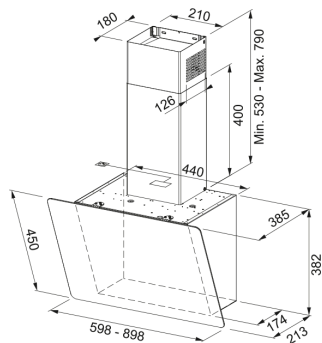


FRANKE

SMART FPJ 915 V BK/DG



Wall Hood, 90cm wide

Hood category Vertical
Finish Black / Glass
Number of lamp 2
Lamp type Led S1000 HQ 4000K
Speed setting 3
UI type Touch control
Delayed stop 5'
Perimeter extraction
Energy efficiency class C
Type of filter Aluminium
Motor Group name SP 600
Diam. air outlet 150 mm

Exhaust capacities:

Capacity DIN IEC 61591 Max. 600 m³/h
Capacity DIN IEC 61591 Min. 260 m³/h
Noiselevel DIN EN 60704-3 Max. 63 dB(A)
Noiselevel DIN EN 60704-3 Min. 45 dB(A)
Power (W) Max. 160 W
Pressure Max. 500 Pa
Illumination Led S1000 HQ 2 lamps

External Dimensions

- ① H 912–1172 mm
- ② W 900 mm
- ③ D 385 mm

