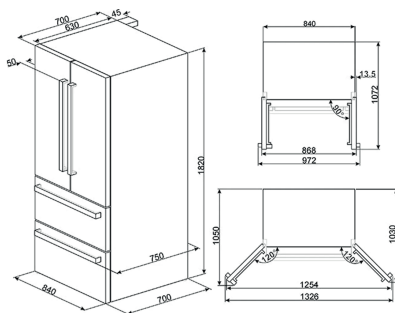




Universale Aesthetic FQ55FXDF



Free standing refrigerator 2 Doors & 2 Drawers

Category: 2 Doors & 2 Drawers

Cooling type: Fan assisted refrigerator,
no-frost freezer

Colour: Inox-look

Display: LED

Display position: Esterno (su porta)

Fast freezing button: Yes

Door open alarm: Yes

Antibacterial Gasket: Yes

Temperature Alarm: Yes

Type of compressor: Inverter

Functions display: Holiday, Fast freezing, Fast
cooling, ECO, Control lock, Temperature alarm

Annual energy consumption: 378 kWh/a

Total net volume: 539 l

Volumes of the frozen compartment(s): 152 l

Volumes of the chill compartment(s): 387 l

Temperature Rise Time: 18 h

Airborne acoustical noise emissions: 35 dB(A) re 1pW

External Dimensions

① H 1825 mm

② W 840 mm

③ D 700 mm

