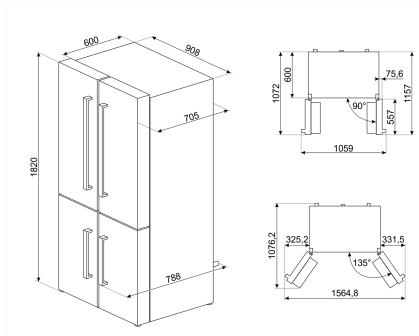




Universale Aesthetic FQ60XF



Free standing refrigerator

4 Doors

Cooling type: Total No Frost - Double Cooling system

Colour: Inox-look

Display: LED

Door open alarm: Yes

Type of temperature control: Electronic

No. of compressors: 1

Type of compressor: Inverter

Functions display: Holiday, Fast freezing, Fast cooling, ECO, Control lock

Annual energy consumption: 406 kWh/a

Total net volume: 572 l

Volumes of the frozen compartment(s): 196 l

Volumes of the chill compartment(s): 376 l

Temperature Rise Time: 10h

4 star - Freezing capacity: 4.6 Kg/24h

4 star - Freezing capacity 4.6: 1 Kg/24h

Climate class: SN, T

EEL: 125 %

Airborne acoustical noise emissions: 39 dB(A) re 1pW

External Dimensions

➊ H 1820 mm

➋ W 908 mm

➌ D 705 mm

