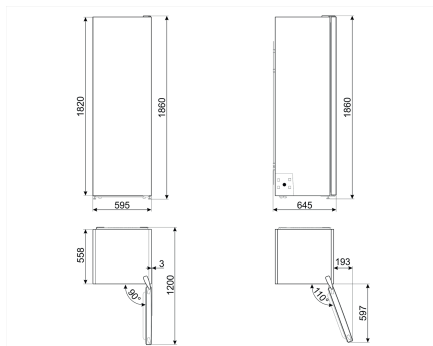




## Universale Aesthetic FS18EV2HX



### Free standing refrigerator One Door

Annual energy consumption: 121 kWh/a

Total net volume: 389 l

Volumes of the chill compartment(s): 390 l

Airborne acoustical noise emission class: C

Climate class: SN, T

Airborne acoustical noise emissions: 40 dB(A) re 1pW

Type of temperature control: Electro-mechanical

No. of compressors: 1

Type of compressor: Standard

No. of adjustable shelves: 3

Number of fruit and vegetables drawers: 2

Type of crisper/vegetable drawers cover: Standard

Type of adjustable shelves: Glass

Crisper Cover: Yes

Type of crisper/vegetable drawers cover: Glass

Life Plus zone<sup>®</sup>0-C: Yes

Internal light in fridge: Yes

Type of internal light (fridge): LED

### External Dimensions

① H 1860 mm

② W 595 mm

③ D 650 mm

