

## HSB 635



70L



HydroClean

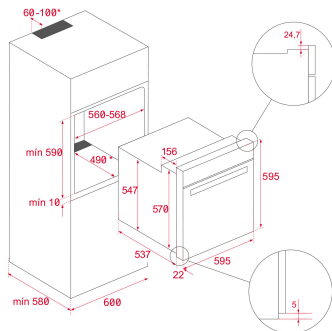


Plus  
Extension  
Telescopic  
Guide



### Multifunction oven and HydroClean® system in 60 cm

- Multifunction oven
- 8 cooking functions
- Automatic HydroClean system
- Mechanical control knobs
- Electronic timer
- Chrome supports with 5 cooking levels
- Easy slide telescopic guides
- Removable double glazed door
- Manual quick preheating
- Anti-tip deep tray
- Capacity, gross/net: 71/70 litres



### External Dimension

- H 595 mm
- W 595 mm
- D 537+22 mm

