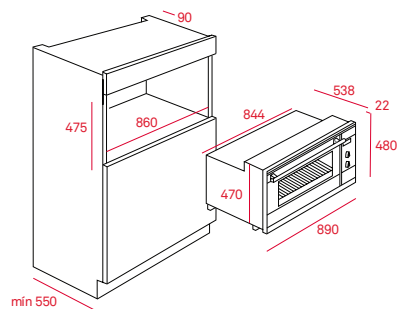
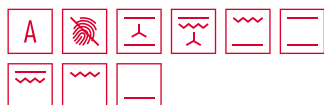


TOTAL HSF 900



Multifunction Oven

Energy class: A
Fingerprint proof stainless steel
Capacity: 91/77 litres (net/gross)
7 cooking functions
Mechanical control knobs
Drop down maxi grill
Forced ventilation
Full glass inner door
Deep tray
Cooking grid

External Dimensions

- H 480 mm
- W 890 mm
- D 560 mm

