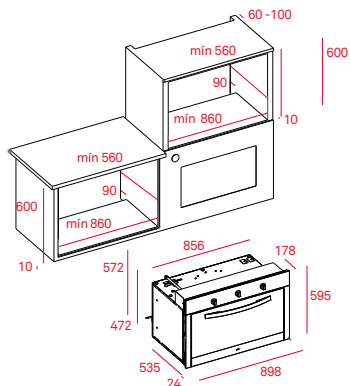


TOTAL HSF 930 G



Multifunction Pyrolytic oven

Conventional full gas oven
4 cooking functions
Mechanical control knobs
Mechanical timer
Chrome supports with 5 cooking levels
Removable double glazed door
Automatic disconnection security system
1 Anti-tip deep tray
Capacity (gross/net): 64 / 88 litres
Certificates: N/CE/CB/GMARK
Number of cavities: 1
Type of inner light: Halogen
Inside light position: SIDE
Enamelled cavity: Yes
Min. Temperature Regulator (°C): 50
Max. Temperature Regulator (°C): 250
Function selector: 0+4
Number of cooking functions: 4
Grill function: Yes
Bottom function: Yes

External Dimensions

- ① H 595 mm
- ② W 898 mm
- ③ D 525 mm

