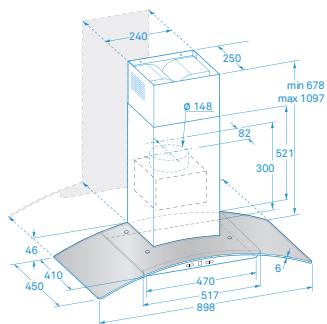


## IHGC 9.5 F AM X



### Decorative hood

Eco power

Convertible

Maximum Airflow: 559 MQH

Motor power: 175 W

Washable aluminium filter

3 speeds

LED spots

### External Dimensions

➔ W 900 mm

