



Universale Aesthetic KSG70HE



Integrated hood

73 cm

No. of speeds: 3

Light color temperature scale (°K): 2700 °K

Free outlet maximum capacity: 406 m³/h

Motor power: 140 W

Anti-grease filters: Aluminium

Minimum distance from GAS hob: 650 mm

Minimum distance from ELECTRIC hob: 500 mm

Vent outlet: 120 mm

Air flow at minimum speed (Qmin): 290 m³/h

Air flow at maximum speed (Qmax): 368 m³/h

Airbourne acouistical : 62 dB(A)

Airborne acoustical : 67 dB(A)

Time increase factor (F): 1.6

Energy Efficiency Index: 87.3

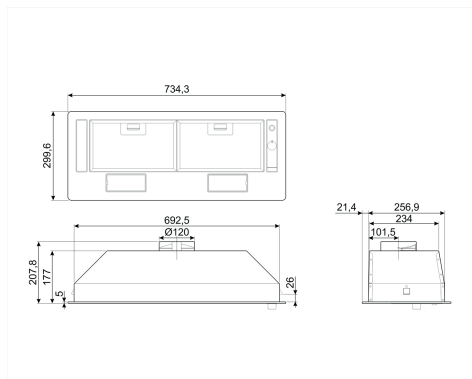
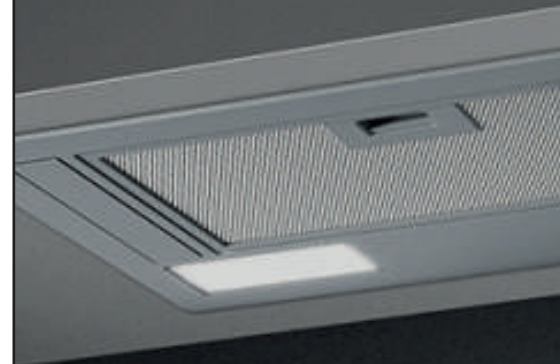
Measured air flow rate 206 m³/h

Measured air pressure : 218 Pa

Measured electric power input: 113 W

Nominal Power consumption: 6 W

Sound power level at highest setting (Lwa): 67 dB(A)



External Dimensions

① H 208 mm

② W 734 mm

③ D 257 mm