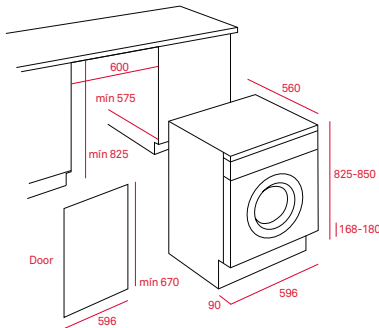


LI4 1270



Integrated washing machine

Washing capacity : 7 kg
15 washing programmes
Maximum spin speed : 1200 rpm
Electronic control panel
Electronic washing management
(Fuzzy Logic)
Fast program 15 minutes
Automatic water regulation
Delay timer 1-24h
Balance control system
Foam control system
Children safety block
30 cm wide porthole
Reversible door
Function buttons for : on/off, delayed programming, extra rinse, spinning exclusion, easy ironing and temperature

Energy class A+/B

External Dimensions

- ① 820/850 mm
- ➔ 596 mm
- ⊗ 560 mm

TEKA WASHER SPEED WASH AND BALANCE CONTROL

No more waiting. Thanks to this function, just by pushing a button, you can reduce the length of any washing programme by 30%. More time for you, less for the machine. Teka's balance control system optimizes clothing distribution, preventing it from becoming tangled. It also increases stability, reducing the noise level and also extends the useful life of the washing machine. In addition, Teka's washing machine drum is a perforated stainless steel drum that helps clothes slide smoothly inside the washing machine.

