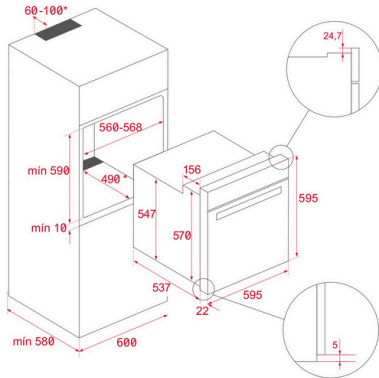
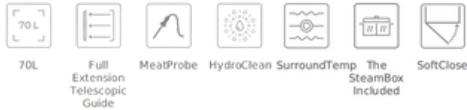


MAESTRO iOVEN



Multifunction turbo Hydroclean PRO cleaning system

- Slippery enamel
- A+ Energy class: up to %20 less consumption
- Capacity, gross/net: 70/71 litres
- TFT 5" true color Touch control
- Personal Cook assistant: 50 programmed recipes
- Meat probe
- Automatic Express preheating
- SlowCook function: low temperature cooking
- Keep warm, bake bread, quick heating, pizza, ferment, defrosting & ECO functions
- Children safety block
- Automatic disconnection security system
- Triple removable glazed door
- SoftClose door
- Full glass inner door
- 2 Plus telescopic guides easy slide
- Drop down maxi grill
- Muticook tray
- Anti-tip deep & baking tray and 2 reinforced grids
- 2 lateral Led
- Tangential ventilation
- Optional cast aluminium tray



External Dimensions

- H 595 mm
- W 595 mm
- D 559 mm

YOUR OVEN AS GOOD AS NEW FOR LESS THAN 50 CENTS

Pyrolysis is a heat-based, self-cleaning system that makes food and grease residue that sticks to the oven disappear or turn into small particles that are easy to wipe away with a cloth at the end of the cycle. The oven's exclusive interior design serves to ensure maximum heat use; that is why our programmes are shorter and the most efficient.

