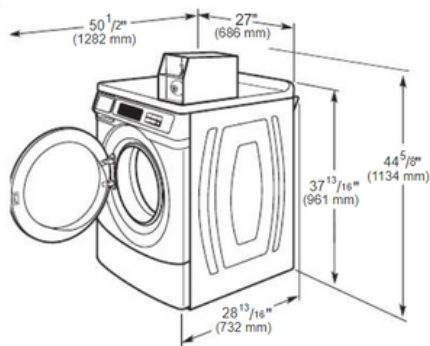


# MHN33PNCGW



Heating type: Electric  
Maximum spin speed (rpm): 1000  
Loading capacity (kg): 15  
Type of control: Electronic  
Number of programmers: 5  
Net weight (kg): 107  
Electrical connection rating (W): 400  
Voltage (V): 220-240  
Frequency (Hz): 50  
Drum volume (L): 88  
Noise level spinning (dBA): 58  
Drum material: Stainless steel  
Type of User Interface: Digit



## External Dimensions

- ↑ 1134 mm
- 686mm
- ↻ 732 mm

