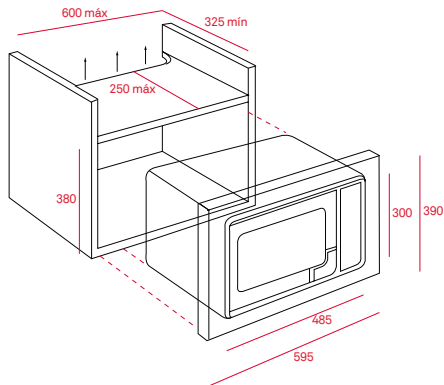
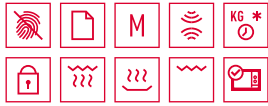


MAESTRO ML 820 BIS



Microwave +grill

Fingerprint proof stainless steel
Capacity: 18 litres
5 microwave power levels (700 W.)
3 direct access menus
1 cooking memory
Grill 1000 W
Double microwave input
Touch control panel
TFT display
Stainless steel inner cavity
Automatic defrost by time and weight
Timer: 0-90 minutes
Children safety block
Five power levels, 700 W
One grid

External Dimensions

- ① 390 mm
- ② 595 mm
- ③ 325 mm

