

MaestroPizza HLB 8510 P



70L



Plus extension guides: 75% extraction



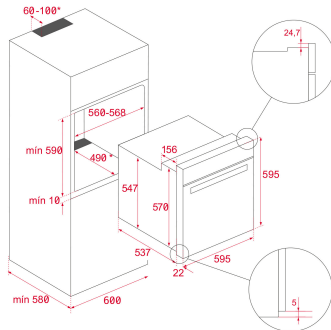
HydroClean steam cleaning system



Pyrolysis cleaning system



SoftClose



Multifunction pyrolytic oven with special pizza function up to 340°C

MaestroPizza oven
Urban Colors Edition
Multifunction SurroundTemp oven
8 cooking functions
Up to 340°C in cavity for perfect pizza finish
Temperature range for traditional recipes: 50-250°
Pyrolysis self-cleaning system and automatic HydroClean system
Touch control display with knobs
Electronic timer(Delay/Start function)
Chrome supports with 5 cooking levels
Plus Extension Telescopic guides
Removable quadruple glazed door
SoftClose system
Automatic disconnection security system
Children safety lock
Manual quick heating
Anti-tip deep tray, baking tray and reinforced grid
Special pizza stone included
Capacity (gross/net): 71 / 70 litres

External Dimension

- ↑ H 595 mm
- W 595 mm
- ↗ D 537+22 mm

