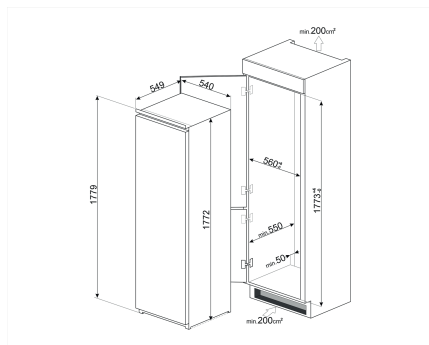




Universale Aesthetic S8F174NF



Built-in freezer

Single door

Fast freezing button: Yes
Temperature alarm lamp: Yes
Door open alarm: Acoustic
Type of temperature control: Electronic
Temperature alarm: Acoustic and visual
No. of compressors: 1
Type of compressor: Standard
Freezer accessories: Accumulator, Ice cube tray
Functions display: Fast Freezing, Control lock,
Temperature Alarm, Cooling timer
Net freezing capacity: 208 l
Noise level: 39 dB(A) re 1pW
Annual energy consumption: 292 kWh/a
Total net volume: 204 l
Energy efficiency class: F
Airborne acoustical noise emission class: C
Volumes of the frozen compartment(s): 204 l
Temperature Rise Time: 7.90 h

External Dimensions

- ① H 1780 mm
- ② W 560 mm
- ③ D 560 mm

