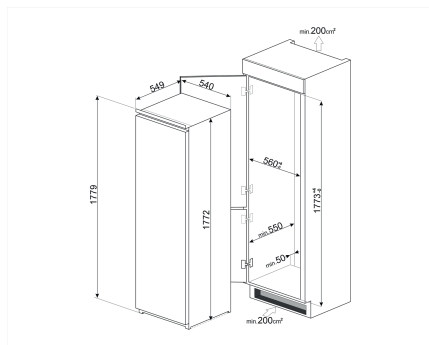




Universale Aesthetic S8L1721F



Built-in refrigerator

One Door

No. of adjustable shelves: 5

Number of fruit and vegetables drawers: 1

Crisper/vegetable drawers cover: On sliding rails

Type of adjustable shelves: Glass

Crisper Cover: Yes

Type of crisper/vegetable drawers cover: Glass

Internal light in fridge: Yes

Type of internal light (fridge): LED

Functions display: Fast cooling

Type of temperature control: Electronic

No. of compressors: 1

Type of compressor: Standard

Annual energy consumption: 143 kWh/a

Energy efficiency class: F

Total net volume: 311 l

Volumes of the chill compartment(s): 311 l

Airborne acoustical noise emission class: B

Climate class: SN, N, ST

Airborne acoustical noise emissions: 34 dB(A) re 1pW

External Dimensions

① H 1780 mm

② W 560 mm

③ D 560 mm

