



Selezione Aesthetic SF64M3VX



Thermo-ventilated Oven 60cm

Electric Oven

Net volume of the cavity: 70l

Cooking Method: Thermo-ventilated

Colour: Stainless steel

Energy efficiency class: A

Vapor Clean Cleaning system

No. of cooking functions: 8

Control setting: Knobs

No. of controls: 3

Time-setting options: Automatic end cooking

Minute minder: Yes

Timer: 1

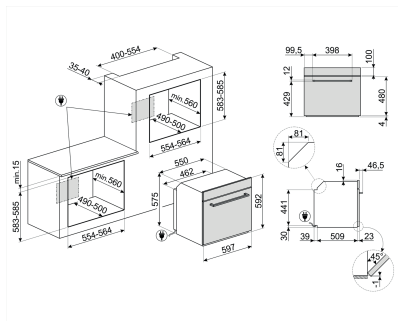
Temperature control: Electro-mechanical

Minimum Temperature: 50°C

Maximum temperature: 250°C

Cavity material: Ever clean Enamel

No. of shelves: 5



External Dimensions

① H 592 mm

② W 597 mm

③ D 548 mm

