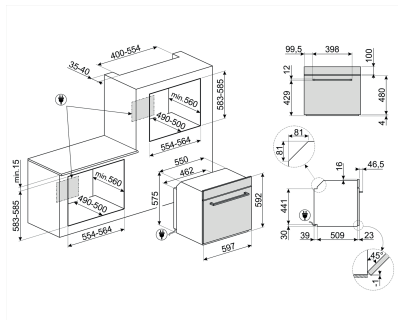




Victoria Aesthetic SF6905X1



Thermo-ventilated Oven 60cm

Electric Oven

Cooking Method: Thermo-ventilated

Cleaning system: Vapor Clean

No. of cooking functions: 8

Energy efficiency class: A

Net volume of the cavity: 70 l

Temperature control: Electro-mechanical

Minimum Temperature: 50 °C

Maximum temperature: 250 °C

Cavity material: Ever clean Enamel

No. of shelves: 5

Time-setting options: Automatic end cooking

Minute minder: Yes

Control setting: Knobs

No. of controls: 3

Control knobs: Victoria

External Dimensions

① H 592 mm

② W 597 mm

③ D 548 mm

