

SteakMaster BK-SS



Plus extension guides: 75% extraction



HydroClean steam cleaning system



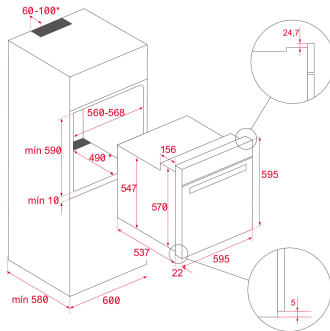
Pyrolysis cleaning system



SoftClose



SurroundTemp



Multifunction pyrolytic oven with special grill and cast iron grid for steaks

SteakMaster oven
Multifunction SurroundTemp oven
13 cooking functions
Powerful SteakGrill (700°C)
Pyrolysis self-cleaning system and automatic
HydroClean system
Touch control display with knobs
Electronic timer (Delay/Start function)
20 automatic programs for meat
Chrome supports with 5 cooking levels
Plus Extension Telescopic guides
Removable quadruple glazed door
SoftClose system
Automatic disconnection security system
Children safety lock
Automatic quick preheating
Anti-tip deep tray and reinforced grid
Special cast iron grid for steaks included
Capacity (gross/net): 71 / 63 litres

External Dimension

- ↑ H 595 mm
- W 595 mm
- ↗ D 537+22 mm

