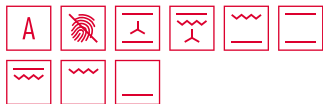
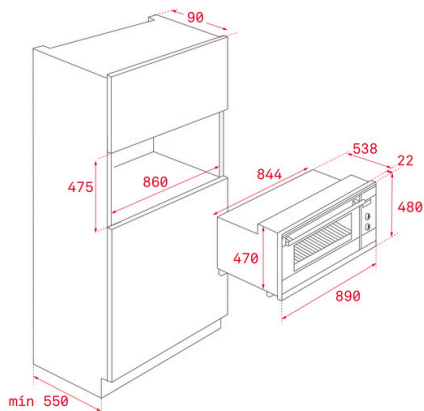


## TOTAL HSF 900



### Multifunction Oven

Energy class: A  
Fingerprint proof stainless steel  
Capacity : 91/77 litres ( net/gross )  
7 cooking functions  
Mechanical control knobs  
Drop down maxi grill  
Forced ventilation  
Full glass inner door  
Deep tray  
Cooking grid



### External Dimensions

- ① H 480 mm
- ② W 890 mm
- ③ D 560 mm

