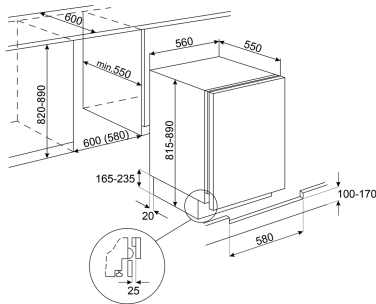




Universale Aesthetic U4C082F



Built-in refrigerator

Under counter

Type of temperature control: Electro-mechanical

No. of compressors: 1

Type of compressor: Standard

Annual energy consumption: 184 kWh/a

Energy efficiency class: F

Total net volume: 106 l

Volumes of the frozen compartment(s): 16 l

Volumes of the chill compartment(s): 90 l

Airborne acoustical noise emission class: C

Temperature Rise Time: 8.70 h

Climate class: N, ST

EEL: 125 %

Airborne acoustical noise emissions: 40 dB(A) re 1pW

No. of adjustable shelves: 2

Number of fruit and vegetables drawers: 1

Type of crisper/vegetable drawers cover: Plastic

Internal light in fridge: Yes

Type of internal light (fridge): LED

External Dimensions

① H 819 mm

② W 560 mm

③ D 547 mm

