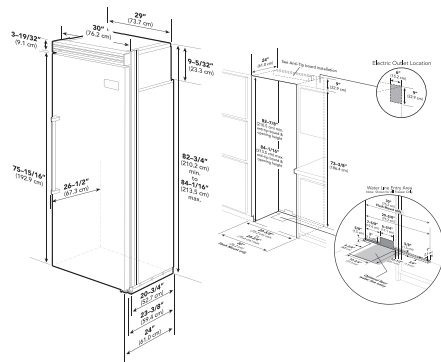


VCFB5303
Viking 5 Series



30" All Freezer - VCFB5303

- 15.9 cu. ft. total
- ProChill™ Temperature Management System
- Variable Speed DC Overdrive™ Compressor
- Electronic controls
- Multi-channel airflow system
- LED lighting
- Adjustable full-width wire shelves
- EXCLUSIVE adjustable metal door bins
- Full-extension precision ball
- Automatic Ice maker



External Dimensions

- H 2101 mm
- W 762 mm
- D 610 mm

