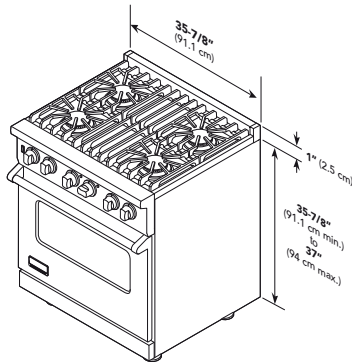


VGR536BSS

Viking 5 Series



36" Gas Range - VGR536

VSH™ (VariSimmer-to-high) Pro Sealed Burner
TruPower Plus™ 18,500 BTU burner front right
Other burners equipped with 15,000 BTU's
VariSimmer™ setting for all burners
All burners equipped with SureSpark™ Ignition
Automatic re-ignition
Combination of single 30,000 BTU U-shaped
burner and infrared broiler with SureSpark™
GourmetGlo™ Infrared Broiler
BlackChrome™ Metal Knobs ship standard
SoftLit™ LED lights accent the control panel
Exclusive GentleClose™ Door
Larger window opening
Extremely large convection oven
Six functions - natural airflow bake, convection
bake, infrared broil, convection infrared broil,
convection dehydrate and convection defrost

External Dimensions

- ➊ H 940 mm
- ➋ W 911 mm
- ➌ D 720 mm

