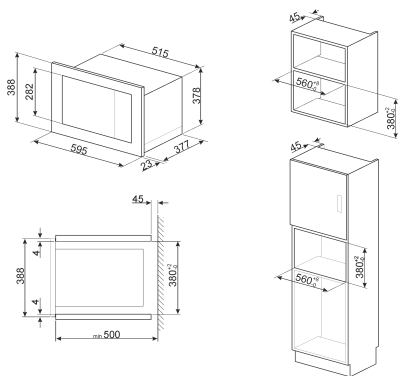


# smeg

## Classica Aesthetic FMI325X



### Built-in Microwave Classica Aesthetic

Installation: Fully Built-in

Cooking Method: Microwave with grill

Control: Electromechanical

Display / Clock: 1 a

LED Type of control setting: Touch control

Opening: Electrical button

Cavity material: Stainless steel

Gross volume: 26 l

Light type: Led

Shelves type: Rack

Light when door is opened: Yes

Door opening: Side-opening

Total no. of door glasses: 1

Cooling system: Tangential

Turntable dimensions: 31,5 cm

Grill type: Quartz Grill - power: 1000 W

Microwave effective power: 900 W

### External Dimensions

① H 388 mm

② W 595 mm

③ D 397 mm



smeg