

## CI3 342 EU



Motor  
Inverter



Easy 90



Fresh Box



LED



# TEKA

### Built-in bottom freezer refrigerator with inverter motor and antibacterial gasket

Built-in bottom freezer refrigerator

Defrost in freezer

Inner control display

Manual adjustable thermostat

2 FreshBox drawer

3 safety glass shelves

Front adjustable feet

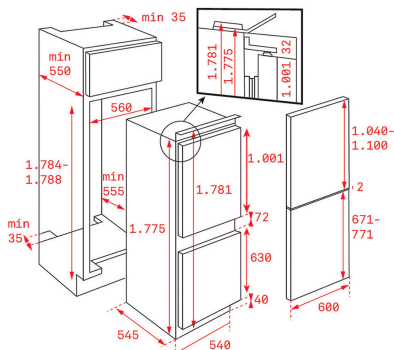
LED Illumination

Reversible doors

Climate class: SN/ST

Total capacity (gross/net): 285 / 271 litres

Bottle rack and 2 ice cube trays included



### External Dimension

- ↑ H 1775 mm
- W 540 mm
- ↗ D 545 mm

