

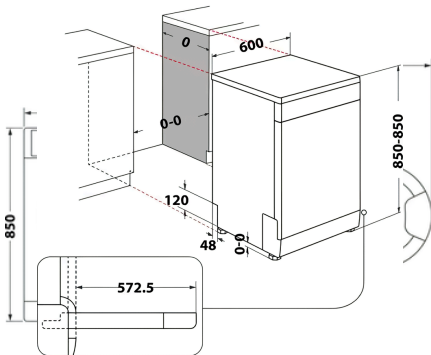


MINF 08121S SMJ



### Front Loaded Washing Machine

Capacity super 8 kg  
1200 RPM  
Energy class A+++ (-10%)  
Innex porthole  
Push & Wash  
Stain User interface Led  
Number of Programs 15  
Anti-stain option  
Fast forward  
Rapid cycle  
Ball system  
Child Lock  
No Water Indicator  
Steam  
Durable Heater  
Self-cleaning cycle  
Anti-odour cycle  
Dark fabric cycle



### External Dimensions

- H 850 mm
- W 595 mm
- D 553 mm

