

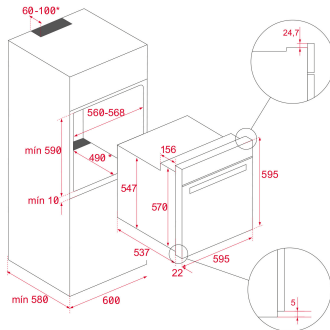
## NEO HSB 6450 SS



70L



HydroClean SurroundTemp  
steam  
cleaning  
system



### Multifunction oven with 9 cooking functions and HydroClean system

Chef functions for automatic programmes  
ThermoSeal System for a stable temperature inside

Ultra-resistant BrightClean enamel

FastClick System for tray supports

Ergonomic and stylish handle

Wider LED display window

9 cooking functions

Automatic HydroClean system

Mechanical control knobs

Chrome supports with 5 cooking levels

Plus Extension Telescopic guides

Removable double glazed door

Automatic disconnection security system

Manual quick preheating

Door square pattern

Flat Stainless-Steel panel

Anti-tip deep tray

Baking tray included

Capacity (gross/net): 71 / 70 litres

### External Dimension

- ↑ H 595 mm
- W 595 mm
- ↗ D 537+22 mm

